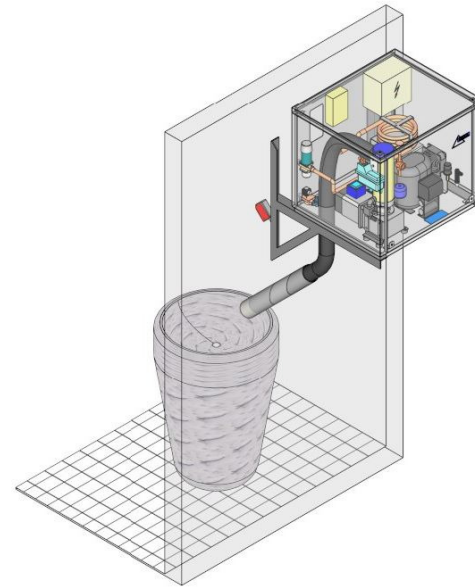
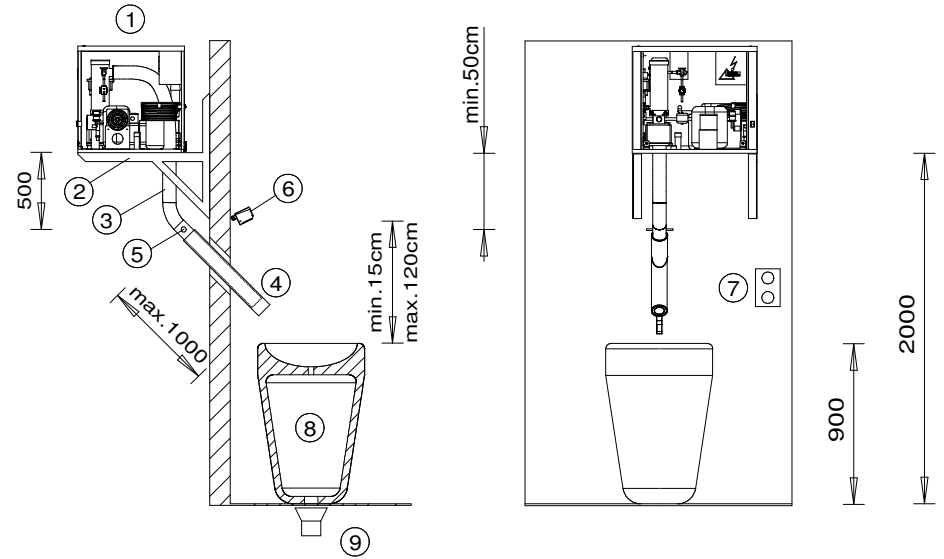


- A: freezing unit
- B: ice outlet insulated
- C: control panel with ON/OFF switch
- D: electric connection
- E: water inlet G 3/4"
- F: overflow Ø14mm
- G: cooling water inlet G 1/2"
- H: cooling water outlet G 1/2"



- 1: ice machine
- 2: wall bracket
- 3: ice tube Ø54mm, insulated Ø75mm
- 4: stainless steel pipe Ø88,9x2x600mm
- 5: light barrier
- 6: reflexion light scanner (optional)
- 7: ON/OFF switch external
- 8: ice bowl (by customer)
- 9: melt water drain (by customer)

This drawing is the property of
ZIEGRA-Eismaschinen GmbH
and may not be reproduced, made available to third parties, or
used for promotional purposes without express permission.

	Datum	Name	450.748.00	Maßstab:	A3
Bearb.	10.12.24	DI		1:10	
Gepr.					
Gepr.					
	45074800	ZIEGRA EISMASCHINEN		Ice machine ZBE 150 W - ZBE 350 W Sauna Installation	